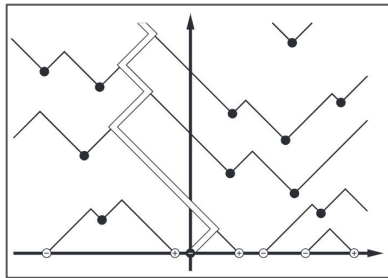


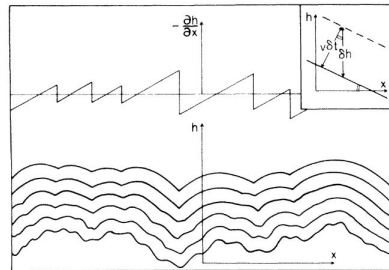
Experimental measurement of the dynamical structure factor in a normal dispersion recirculating fiber loop

Adrien Escoubet, Thibault Bonnemain, François Copie, Stéphane Randoux, Isabelle Bouchoule, Jérôme Dubail, Pierre Suret

Growth models



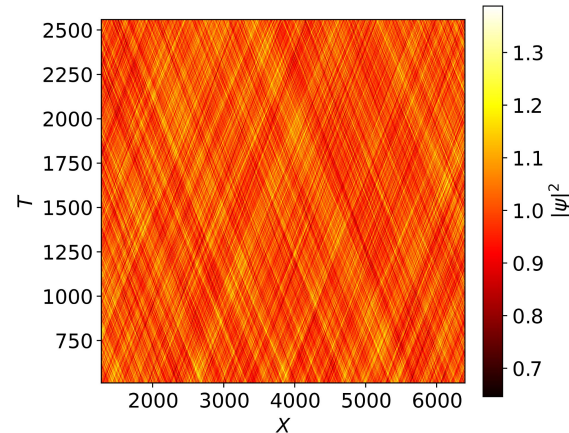
◀ Prähofer & Spohn, *J. Stat. Phys.* (2004)



▲ Kardar, Parisi & Zhang, *Phys. Rev. Lett.* (1986)



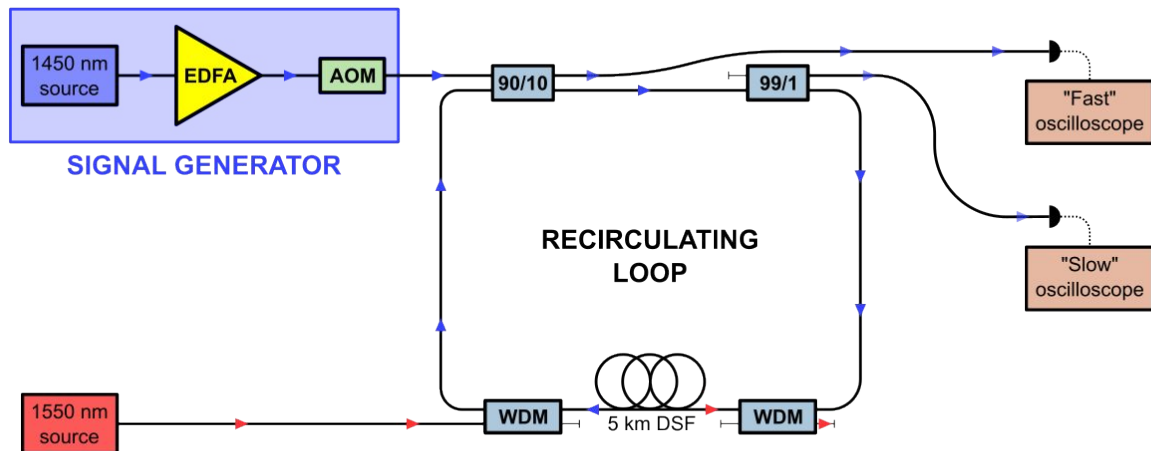
Defocusing nonlinear Schrödinger model (simulation)



◀ Spatiotemporal evolution of small fluctuations on a background

Experimental measurement of the dynamical structure factor in a normal dispersion recirculating fiber loop

Experimental setup and measurement



(very) Preliminary results of spatiotemporal measurement

