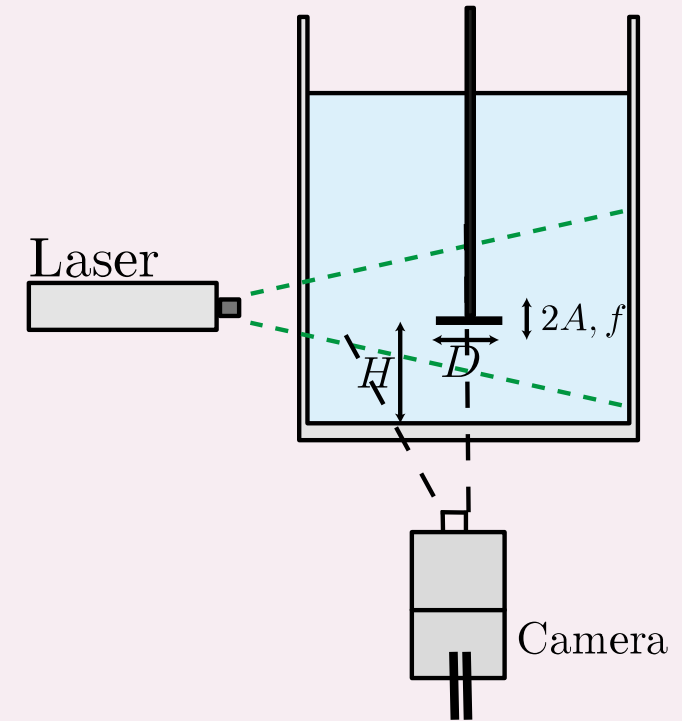


# EXPERIMENTAL STUDY OF VORTEX RINGS GENERATED BY AN OSCILLATING DISC

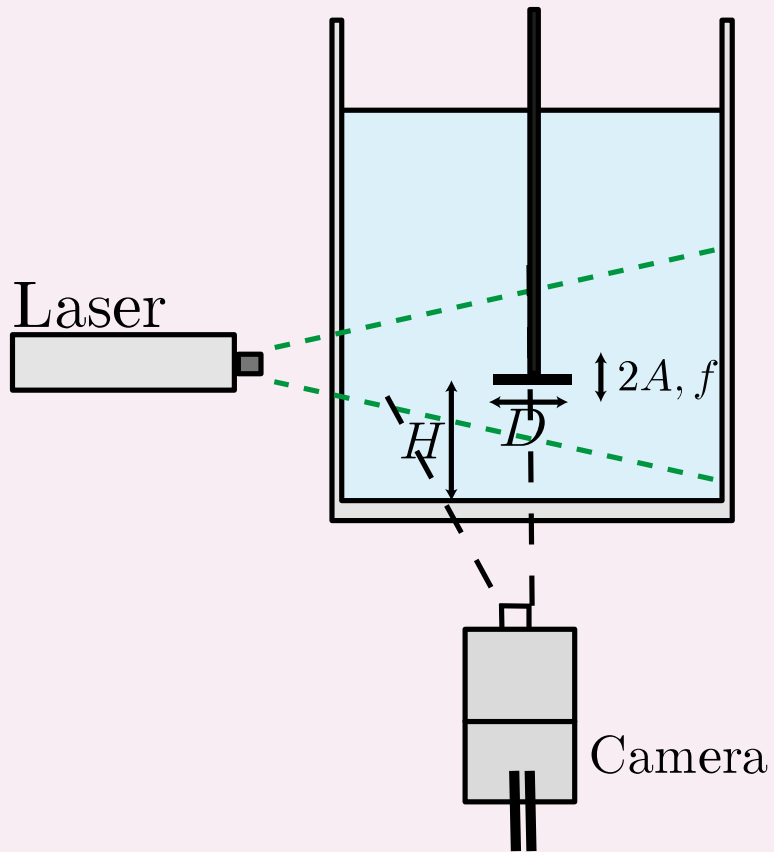
Joanne Steiner, Cyprien Morize, Alban Sauret and Philippe Gondret



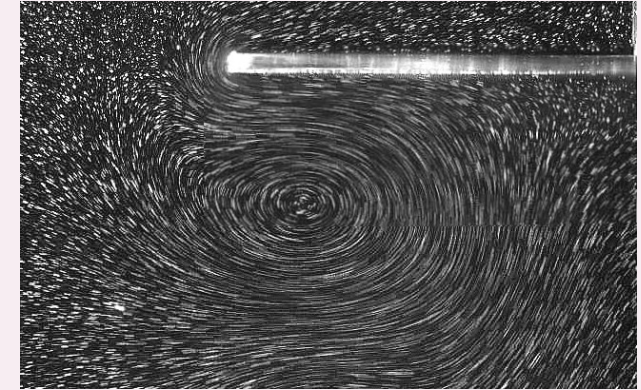
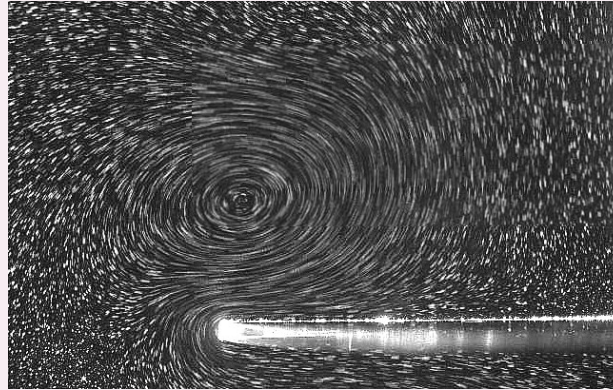
- Characterization and modeling of vortices generated by a moving body
- Swimming fish
- Propulsion
- Heave plates for offshore applications



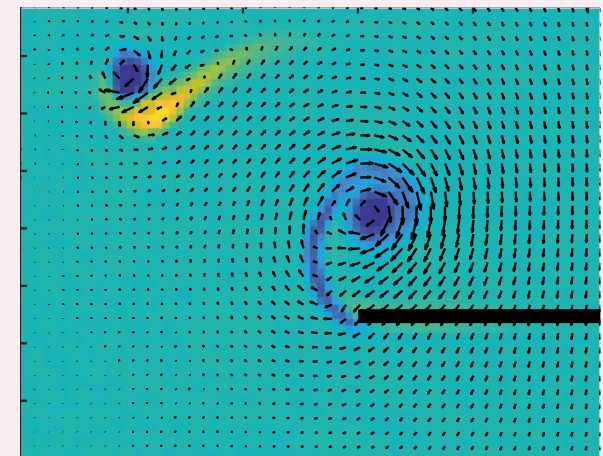
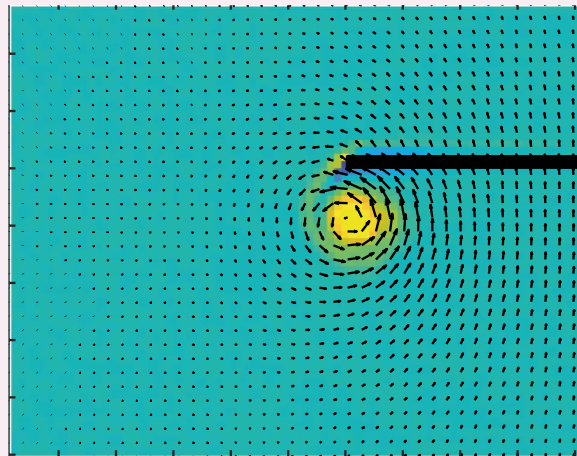
# EXPERIMENTAL SET-UP



- Flow visualisation : different flow regimes



- Velocity fields by PIV



- Scaling laws for circulation, radius and position of the vortex formed